

# Warranty

Thank you for choosing a BLANCO product.  
 We deliver our products with a good quality and provide 2-years-warranty with our customers . In case of heavy damage and malfunction due to our manufacturing or structural defects, poor materials, etc. We will repair or replace it free of charge within the warranty period.

Model name/product number		
Delivery date		YYYY/MM/DD
Customer	Name	
	Address	
	Phone	— —
Dealer	Name	
	Address	
	Phone	— —

This warranty promises a free repair or a free replacement to the defects that occur under normal use despite of according to the instruction manual under the warranty period.  
 This warranty excludes the defects that are not related to the product itself, such as connections to drainage or overflow parts or connections to the top plate.  
 This warranty is valid for 2 years from the date of delivery written in above form by the person in charge.  
 If you request a free repair or replacement, present this page to the store, the installation company, or the building management company which you purchased from.  
 This warranty is valid only when all information are filled out on the upper registration form.  
 This warranty page will not be reissued. Please keep it in a safe place.  
 This warranty is valid only in Japan.

**THIS WARRANTY IS NOT ADAPTED IN THE FOLLOWING CASES REGARDLESS OF THE WARRANTY PERIOD**

- Defects not due to the product, but due to carelessness or negligence in the installation of parts to the product, installation of the top plate, or construction.
- Defects caused by reasons other than the product, such as deformation of the building frame.
- Defects caused by the use of non-genuine parts.
- Defects caused by improper usage of the product.
- Defects caused by improper repair, modification, or disassembly.
- Malfunctions caused by falling or strong impact during transportation or installation.
- Defects due to deterioration over time under the normal use.
- Failures caused by sand or red rust inside the pipes
- Failures caused by fire, earthquake, water damage, lightning, freezing, or other natural disasters, earthquakes, or special weather or environmental conditions.
- Failures caused by the use in highly corrosive environments, such as near the coast or hot springs.
- No presentation of this warranty page, or insufficient information on the upper registration form.



## SOAP DISPENSER INSTRUCTION MANUAL

### [ INDEX ]

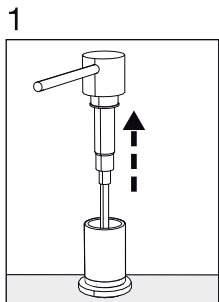
Function.....	P.2
How to refill .....	P.2
Care and Maintenance .....	P.3
Removal / Attachment.....	P.3
Warranty.....	P.4

## Function

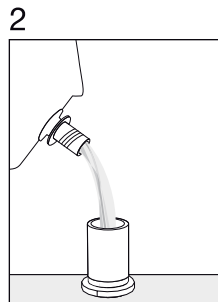
Push the pump head indicated in the arrow



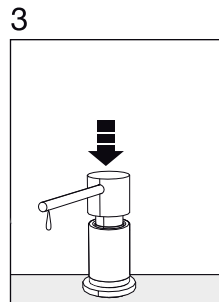
## How to refill



1 Pull up the nozzle.



2 Pour liquid soap (Max.300ml)



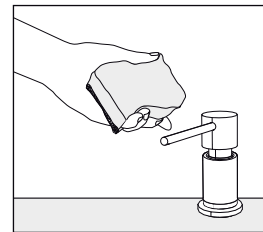
3 Attach the nozzle and press the pump head until soap comes out.

The dispenser does not have a foaming function. Only use kitchen detergent or hand soap. Highly viscous detergents may clog the nozzle or pump. Liquid soaps containing granular ingredients such as abrasives and scrubs cannot be used. When exchange detergents, remove the nozzle and bottle and wash each part thoroughly. The bottle is mounted under the sink and can be removed by hand. Clean and wash the dispenser every few months.

 **Do not use bleach oxygen-based / chlorine-based, cleansers, or solvents.**

 **Do not use it for other purpose.**

## Care and Maintenance



### Daily care

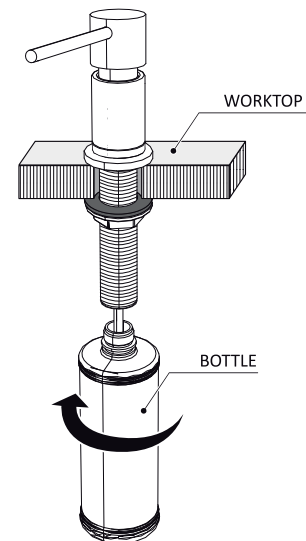
Remove with a sponge or brush when the nozzle is clogged.

## Removal / Attachment

Refer to the illustration for removal / attachment.

### REMOVAL

Turn the bottle in the direction of the arrow.



### ATTACH THE BOTTLE

Twist the bottle in the direction of the arrow.

